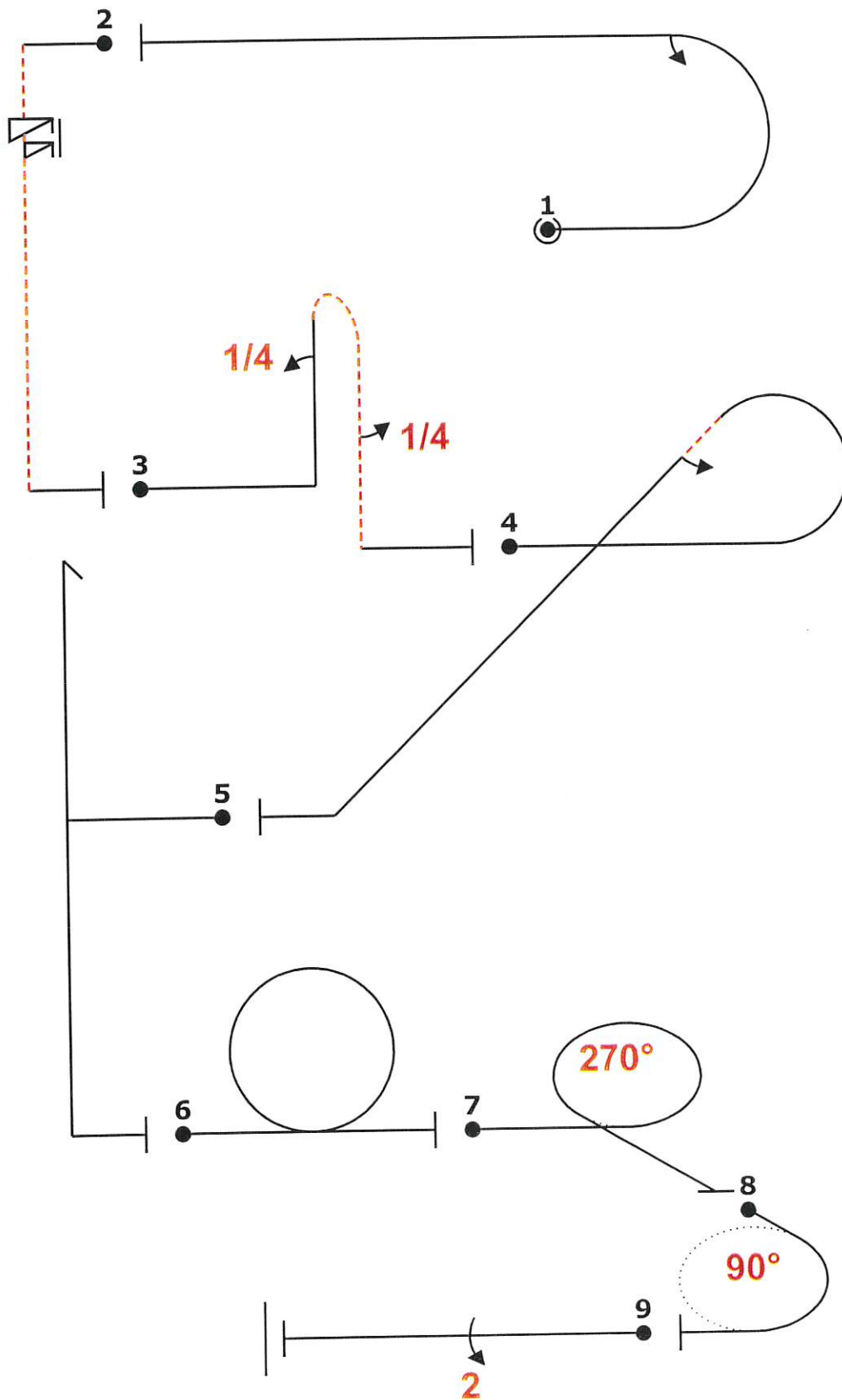
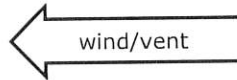
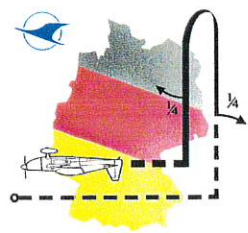


EDAK 02.06.2018 <b>Bücker - Trophy</b>		Form B
Pilot ID	German-Aerobatics Sportsman	Flight #

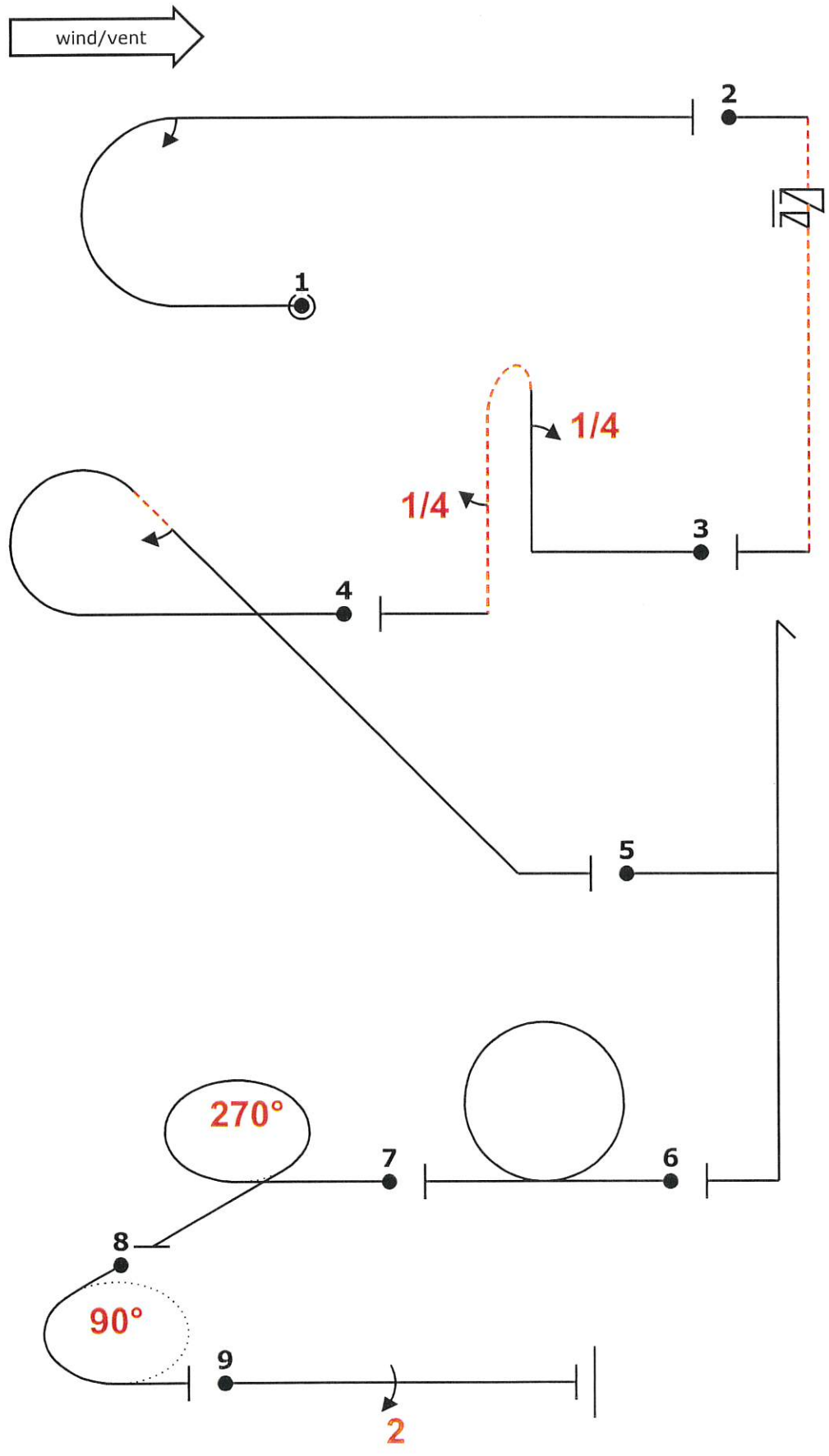


Check: 28-5-2018 8:25 OpenAero 2018.1.9 false Sequence is correct  
 3% 'm2++++++' iv6s... '+' /+'4pb'4''> c2.....> ~+.h...''> 1% o> ~-3j++ j ~-'22++

Bücker Pilot  
 A/C

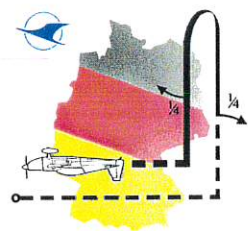


EDAK 02.06.2018 <i>Bücker - Trophy</i>		Form C
Pilot ID	German-Aerobatics Sportsman	Flight #



Check: 28-5-2018 8:25 OpenAero 2018.1.9 false Sequence is correct  
 3% 'm2+++++> iv6s....''> /+'4pb'4''> c2.....> ~+.h....''> 1% o> ~-3j++ j ~.'22++

Bücker Pilot  
 A/C



EDAK 02.06.2018  
*Bücker Trophy 2018*

Form A

Pilot ID

Flight #

German-Aerobatics Sportsman

No	Symbol	Cat. No.	K	Total K	Marks	Remarks	Pos	Item	K	Grade
1		7.2.2.1 9.1.3.2	6 4	10				Pos.	30	
2		1.1.6.3 9.11.1.6	10 3	13				Fig K	Total K	
								106	136	
<b>Penalties</b>										
3		8.4.3.1 9.1.1.1 9.1.5.1	15 6 2	23				Too Low		
								Too High		
								Interruptions		
								Insertions		
4		8.5.6.1 9.1.4.2	10 4	14				Trg Violation		
								Wing Rocks		
								Disqual Fig		
								Other(note...)		
<b>Final Freestyle</b>										
5		5.2.1.1	17	17				Duration	Min	Sec
<b>Judges Details</b>										
6		7.4.1.1	10	10				Signature		
								Name		
7		2.3.1.1	5	5				Number		
8		2.1.1.1	3	3						
9		1.1.1.1 9.2.3.4	2 9	11						

Bücker Pilot  
A/C